

SPEC # _____

QUANTITY _____

APPLICATION

COLD BEVERAGE



AT A GLANCE

Aqua-Pure[®] Models BEV140 and BEV145 single-cartridge water filtration systems assure the taste, appearance, and consistency of your beverages at flow rates to 2.1 gpm (7.9 lpm).

- **BEV140** combines cyst and bacteria reduction with sediment and chlorine taste and odor reduction for up to 25,000 gallons (94,635 liters).
- **BEV145** combines sediment reduction from higher turbidity water with chlorine taste and odor reduction for up to 25,000 gallons (94,635 liters).

PRODUCT BENEFITS

- Purified water for consistent high-quality beverages and continued customer satisfaction.
- Revolutionary IMPACTechnology™ dual-zone media cartridge construction combines a membrane in series with premium activated carbon to provide unsurpassed throughput and cartridge life.
- Cartridge Life Warranted*.
- Certified by NSF to Standard 53 for cyst reduction (BEV140 system).
- NSF Standard 42 and/or FDA CFR-21 compliance provides assurance of safety.
- The removal of over 99.99% of water-borne heterotrophic bacteria by membrane filtration as tested by CUNO (BEV140 system).
- The removal of sediment and abrasive hard particles prevents wear and extends the life of pumps, valves, o-rings, and seals.
- Patented** valve-in-head design simultaneously shuts off and vents water, allowing for simple and trouble-free cartridge change-outs without the need to shut off the upstream feed water.
- The SQC™ – Sanitary Quick Change – encapsulated cartridge design allows for FAST and easy cartridge change-outs with a 1/4 turn while minimizing the possibility of leakage and contamination.
- 3/8" FNPT horizontal inlet and outlet ports allow direct or easily adaptable connections to existing plumbing lines.
- Exhausted cartridges may be incinerated for environmentally conscious disposal.

PRODUCT SPECIFICATIONS

Model Number	Part Number	Reduction Claims	Micron Rating	Capacity	Service Flow Rate	Application	Replacement Cartridge	Sizing
BEV140	56162-01	Cyst, Bacteria, Sediment, Chlorine Taste and Odor	0.2'	25,000 gallons (94,635 liters)	2.1 gpm (7.9 lpm)	Most Standard Water	HF40: 56133-03	Single High Flow Carbonator Dispenser
BEV145	56162-02	Sediment, Chlorine Taste and Odor	3.0	25,000 gallons (94,635 liters)	2.1 gpm (7.9 lpm)	Higher Turbidity Water	HF45: 56133-07	Single High Flow Carbonator Dispenser

* See Aqua-Pure Commercial Products Price Book for Terms and Conditions

** U.S. Patent #6,458,269

† NSF Certified for Particulate, Class I



a 3M company

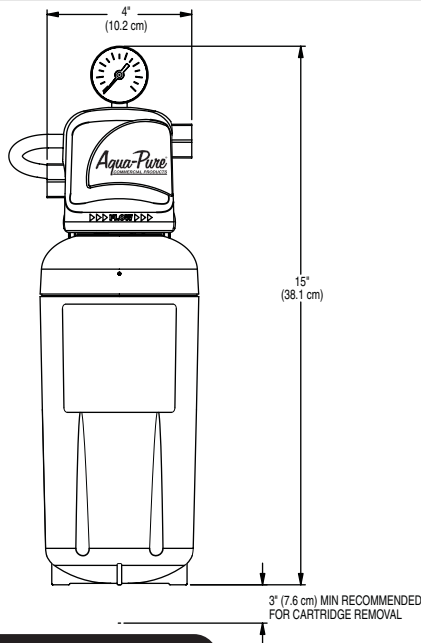


Aqua-Pure® Commercial Products

SPEC # _____
QUANTITY _____
MODEL NUMBER _____
PART NUMBER _____

Aqua-Pure®
COMMERCIAL PRODUCTS
BEV140/BEV145

PHYSICAL SPECIFICATIONS



- System includes a head assembly with integral mounting bracket, pressure gauge, and a single cartridge filter.
- Inlet and outlet plumbing connections are 3/8" FNPT.
- System incorporates an internal automatic 1/4 turn shutoff valve.
- Filter cartridges are double o-ring seal type.
- System maximum operating pressure of 125 psi (862 kPa) and operating temperature of 100°F (38°C).
- Recommended service flow rate is up to 2.1 gpm (7.9 lpm).
- Filter cartridges incorporate carbon block media protected by a pleated pre-filter membrane.
- System is NSF Standard 42 and/or CFR-21 compliant.
- Cartridge body is constructed from high-impact glass-filled polypropylene.
- Cartridges are sanitary in design, requiring no contact with the filter media during cartridge change-out.
- Filter cartridges require no pre-activation.
- A NSF Performance Data Sheet (PDS) is included.
- Shipping weight: 8.9 lbs (4.0 kg) per case
- Operating weight: 6 lbs (2.7 kg)
- Case quantity: 2

Do not use with water that is microbiologically unsafe or of unknown quality without adequate disinfection before or after the system. Systems certified for cyst reduction may be used on disinfected water that may contain filterable cysts. EPA Establishment Number 070595-CT-001.

CUNO Incorporated recommends regularly scheduled maintenance and replacement of the filter cartridge(s) in order for the product to perform as advertised/sold. Change the filter cartridge at least every 6 months. CUNO shall not be liable for system failures due to improper maintenance.

INSTALLATION TIPS

- Shut off downstream equipment prior to installation of the system.
- Choose mounting location to support full system weight when operating.
- Do not exceed operating parameters for temperature or pressure.
- Do not install outdoors.
- For commercial use only with cold water.

LIMITED 5 YEAR WARRANTY

CUNO Incorporated warrants to the original purchaser-consumer that this product is free from defects in materials and workmanship. This warranty, together with any and all warranties implied by law, shall be limited to a period of five (5) years from the date of original purchase by the consumer. This warranty does not apply to failures that result from abuse, misuse, alteration or damage not caused by CUNO. This warranty is subject to exclusions and limitations. Please refer to the Warranty Card provided with the product for details.

SERVICE WORLDWIDE

CHINA
CUNO Filtration Shanghai Co. Ltd.
No. 2 Plant East Side
Xin Miao San Road
XinQiao Town SongJiang District
Shanghai, China 201612

JAPAN
CUNO K.K.
Hodogaya Station Building 6F
1-7, Iwai-Cho, Hodogaya-Ku
Yokohama 240-0023, Japan

AUSTRALIA
CUNO Pacific Pty Ltd.
140 Sunnyholt Road
Blacktown, N.S.W. 2148
Australia

BRAZIL
CUNO Latina Ltda
Rua AMF do Brazil - 251
18120 Mairinque-SP, Brazil

EUROPE
CUNO Limited
21 Woking Business Park
Albert Drive
Woking, Surrey
GU21 5JY, England

SINGAPORE
CUNO Filtration Asia Pte Ltd
2A Tuas Avenue 12
Singapore 639023



Visit www.nsf.org for the claims associated with products that are NSF listed.



CUNO Incorporated

400 Research Parkway
Meriden, CT 06450, USA
Toll Free: 1.888.218.CUNO
Worldwide: 203.237.5541
Fax: 203.238.8701

www.cunofoodservice.com